

8

STEREO MICROSCOPES MODULAR SYSTEM

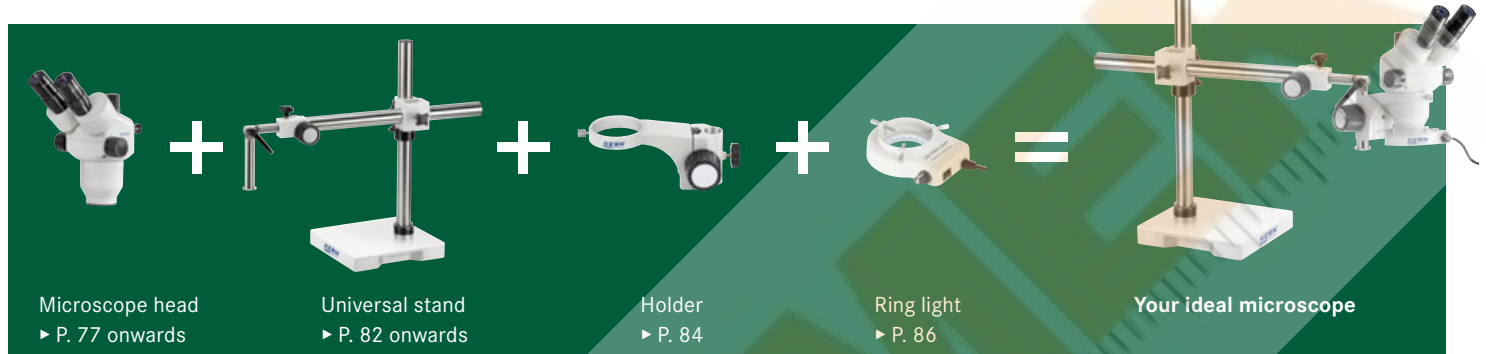


SIMPLY CONFIGURE IT YOURSELF!

With our convenient modular system (for stereomicroscopes), you can easily put together your own individual microscope model. This is how easy it is.

Step 1: You make your choice

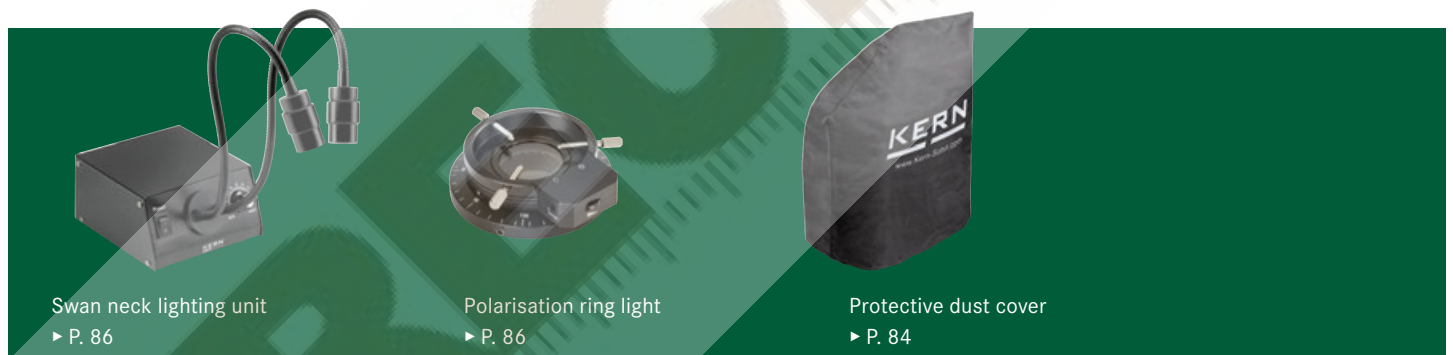
Select a microscope head, a universal stand, a holder and an illumination unit and configure your own personal model to suit you.



Sample configuration

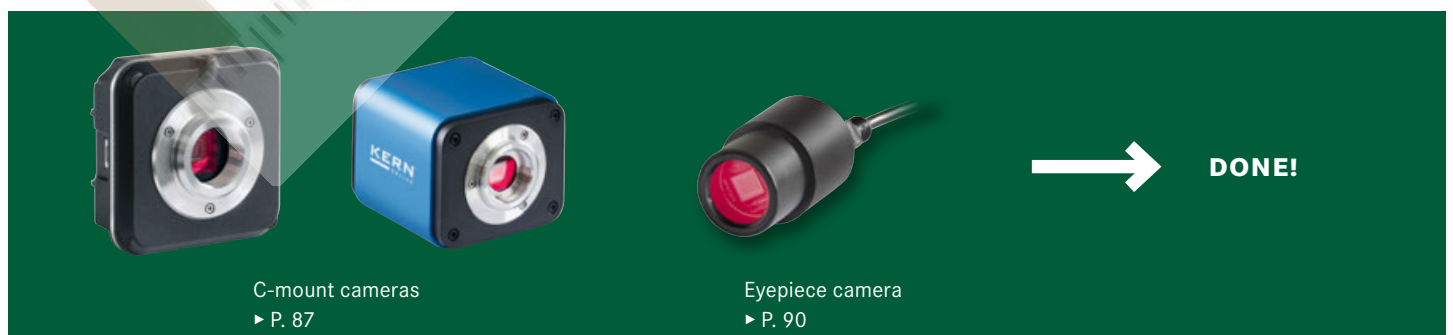
Step 2: You add fittings – (external) illumination unit + other items

Additional illumination units and an appropriate protective dust cover offer you the opportunity to adapt the configuration, expansion and field of application of your ideal microscope individually to suit your own requirements.



Step 3: You perfect your model – microscope cameras

If you are using a trinocular microscope configuration, select the microscope camera which meets your requirements. To find the appropriate C-mount adapter, which is essential to correctly connect the camera, please see the fitting lists of the selected microscope head (from page 75 ff.).





Head of the microscope series OZL-46 (OZL 461, 462)



Head of the microscope series OZM-5 (OZM 546, 547)



Head of the microscope series OZP-5 (OZP 551, 552)



Head of the microscope series OZO-5 (OZO 556)

Individuality, variety and flexible working through our modular construction system – Stereo microscope heads

Features

- To enable the highest level of flexibility for your special requirements and applications, we have a large selection of stereo microscope heads, universal stands and external illumination units, which are easy to combine
- Through the different properties of the stereo microscope heads, as well as the flexibility of the universal stands and the professional fixing of our brackets, we can configure your ideal microscope to suit your needs

- There are various microscope heads available from our product range for this purpose, both as binocular or trinocular versions
- A C-mount adapter is required to connect a camera to the trinocular version. You can select this adapter from the corresponding model outfit lists on the following pages

Technical data

- Optical system: Greenough optics
- Further technical data and model features is located in the tables below on the following pages

Model	Tube	Tube angle	Eyepieces (included)	Interpupillary distance	Objective	Magnification ratio	Diopter adjustment
KERN					Zoom	Zoom	
OZL 461	Binocular	45°	HWF 10x/ø 20 mm	55 – 75 mm	0,7x – 4,5x	6,4:1	Both-sided (-5/5)
OZL 462	Trinocular	45°	HWF 10x/ø 20 mm	52 – 76 mm	0,7x – 4,5x	6,4:1	Both-sided (-5/5)
OZM 546	Binocular	45°	HSWF 10x/ø 23 mm	52 – 76 mm	0,7x – 4,5x	6,4:1	Both-sided (-6/6)
OZM 547	Trinocular	45°	HSWF 10x/ø 23 mm	52 – 76 mm	0,7x – 4,5x	6,4:1	Both-sided (-6/6)
OZP 551	Binocular	35°	HSWF 10x/ø 23 mm	52 – 76 mm	0,6x – 5,5x	9,2:1	Both-sided (-6/6)
OZP 552	Trinocular	35°	HSWF 10x/ø 23 mm	52 – 76 mm	0,6x – 5,5x	9,2:1	Both-sided (-6/6)
OZO 556*	Binocular	35°	HSWF 10x/ø 23 mm	52 – 76 mm	0,8x – 7x	8,8:1	Both-sided (-6/6)

! *ONLY WHILE STOCKS LAST

Fittings and accessories for the heads for the OZL-46 microscope range (OZL 461, OZL 462)

Eyepiece	Specifications - Objectives					
	Magnification	Standard 1,0x	Auxiliary objectives			
			0,5x	0,75x	1,5x	2,0x
HSWF 10x	Total magnification	7x - 45x	3,5x - 22,5x	5,3x - 33,8x	10,5x - 67,5x	14x - 90x
	Field of view mm	∅ 28,6 - 4,4	∅ 57,1 - 8,9	∅ 38,1 - 5,9	∅ 19 - 3	∅ 14,3 - 2,2
HWF 15x	Total magnification	10,5x - 67,5x	5,3x - 33,8x	7,9x - 50,6x	15,5x - 101,3x	21x - 135x
	Field of view mm	∅ 21,4 - 3,3	∅ 42,9 - 6,7	∅ 28,5 - 4,4	∅ 14,3 - 2,2	∅ 10,7 - 1,7
HSWF 20x	Total magnification	14x - 90x	7x - 45x	10,5x - 67,5x	21x - 135x	28x - 180x
	Field of view mm	∅ 14,3 - 2,2	∅ 28,6 - 4,4	∅ 19,1 - 2,9	∅ 9,5 - 1,5	∅ 7,1 - 1,1
HWF 25x	Total magnification	17,5x - 122,5x	8,8x - 56,3x	13,1x - 91,9x	26,3x - 168,8x	35x - 225x
	Field of view mm	∅ 12,9 - 2,0	∅ 25,7 - 4,0	∅ 17,2 - 2,7	∅ 8,6 - 1,3	∅ 6,4 - 1,0
Working distance		105 mm	177 mm	120 mm	47 mm	26 mm
Model outfit			Model KERN		Order number	
			OZL 461	OZL 462		
Eyepieces (30,0 mm)	HWF 10x/∅ 20 mm		✓✓	✓✓	OZB-A4631	
	HSWF 15x/∅ 15 mm		○○	○○	OZB-A4632	
	HWF 20x/∅ 10 mm		○○	○○	OZB-A4633	
	HSWF 25x/∅ 9 mm		○○	○○	OZB-A4634	
Auxiliary objectives	0,5x		○	○	OZB-A4641	
	0,75x		○	○	OZB-A4644	
	1,5x		○	○	OZB-A4642	
	2,0x		○	○	OZB-A4643	
C-Mount	1x (focus adjustable)			✓	OZB-A4809	
	0,3x (focus adjustable)			○	OZB-A4810	
	0,5x (focus adjustable)			○	OZB-A4811	

✓ = Included with delivery

○ = Option

Fittings and accessories for the heads for the OZM-5 microscope range (OZM 546, OZM 547)

Eyepiece	Specifications - Objectives						
	Magnification	Standard 1,0x	Auxiliary objectives				
			0,37x	0,5x	0,7x	1,5x	2x
HSWF 10x	Total magnification	7x - 45x	2,59x - 16,65x	3,5x - 22,5x	4,9x - 31,5x	10,5x - 67,5x	14x - 90x
	Field of view mm	∅ 32,8 - 5,1	∅ 88,8 - 13,8	∅ 65,7 - 10,2	∅ 46,9 - 7,3	∅ 21,9 - 3,4	∅ 16,4 - 2,6
SWF 15x	Total magnification	10,5x - 67,5x	3,89x - 25x	5,3x - 33,8x	7,4x - 47,2x	15,8x - 101,3x	21x - 135x
	Field of view mm	∅ 24,3 - 3,8	∅ 65,6 - 10,2	∅ 48,6 - 7,6	∅ 34,7 - 5,4	∅ 16,2 - 2,5	∅ 12,1 - 1,9
SWF 20x	Total magnification	14x - 90x	5,18x - 33,3x	7x - 45x	9,8x - 63x	21x - 135x	28x - 180x
	Field of view mm	∅ 20 - 3,1	∅ 54,1 - 8,4	∅ 40 - 6,2	∅ 28,6 - 4,4	∅ 13,3 - 2,1	∅ 10 - 1,6
SWF 30x	Total magnification	21x - 135x	7,77x - 50x	10,5x - 67,5x	14,7x - 94,5x	31,5x - 202,5x	42x - 270x
	Field of view mm	∅ 12,9 - 2	∅ 34,7 - 5,4	∅ 25,7 - 4	∅ 18,4 - 2,9	∅ 8,6 - 1,6	∅ 6,4 - 1
Working distance		110 mm	275 mm	195 mm	145 mm	58 mm	35 mm

Model outfit	Model KERN		Order number	
	OZM 546	OZM 547		
Eyepieces (30,0 mm)	HSWF 10x/∅ 23 mm	✓✓	✓✓	OZB-A5503
	SWF 15x/∅ 17 mm	○○	○○	OZB-A5504
	SWF 20x/∅ 14 mm	○○	○○	OZB-A5505
	SWF 30x/∅ 9 mm	○○	○○	OZB-A5506
	HSWF 10x/∅ 23 mm (reticule 0,1 mm)	○	○	OZB-A5512
	SWF 15x/∅ 17 mm (reticule 0,05 mm)	○	○	OZB-A5513
	SWF 20x/∅ 14 mm (reticule 0,05 mm)	○	○	OZB-A5514
Achromatic auxiliary objectives	0,37x only in combination with a universal stand	○	○	OZB-A5611
	0,5x	○	○	OZB-A5612
	0,7x	○	○	OZB-A5613
	1,5x	○	○	OZB-A5615
	2,0x	○	○	OZB-A5616
	Soldering protection lens	○	○	OZB-A5614
C-Mount	0,3x (focus adjustable)		○	OZB-A5701
	0,5x (focus adjustable)		○	OZB-A5702
	1,0x (focus adjustable)		○	OZB-A5703
	1,0x (with micrometer) only in combination with OZB-A5703		○	OZB-A5704

✓ = Included with delivery

○ = Option

Fittings and accessories for the heads for the OZP-5 microscope range (OZP 551, OZP 552)

Eyepiece	Specifications - Objectives						
	Magnification	Standard 1,0x	Auxiliary objectives				
			0,37x	0,5x	0,7x	1,5x	2x
HSWF 10x	Total magnification	6x - 55x	2,96x - 25,9x	3x - 27,5x	4,2x - 38,5x	9x - 82,5x	12x - 110x
	Field of view mm	∅ 38,3 - 4,2	∅ 74,3 - 8,5	∅ 76,7 - 8,4	∅ 54,8 - 6	∅ 25,6 - 2,8	∅ 19,2 - 2,1
SWF 15x	Total magnification	9x - 82,5x	4,44x - 38,9x	4,5x - 41,25x	6,3x - 57,75x	13,5x - 123,75x	18x - 165x
	Field of view mm	∅ 28,3 - 3,1	∅ 57,4 - 6,6	∅ 56,7 - 6,2	∅ 40,5 - 4,4	∅ 18,9 - 2,1	∅ 14,2 - 1,5
SWF 20x	Total magnification	12x - 110x	5,92x - 51,8x	6x - 55x	8,4x - 77x	18x - 165x	24x - 220x
	Field of view mm	∅ 23,3 - 2,5	∅ 47,3 - 5,4	∅ 46,7 - 5,1	∅ 33,3 - 3,6	∅ 15,6 - 1,7	∅ 11,7 - 1,3
SWF 30x	Total magnification	18x - 165x	8,88x - 77,7x	9x - 82,5x	12,6x - 115,5x	27x - 247,5x	36x - 330x
	Field of view mm	∅ 15 - 1,6	∅ 30,4 - 3,5	∅ 30 - 3,3	∅ 21,4 - 2,3	∅ 10 - 1,1	∅ 7,5 - 0,8
Working distance		108 mm	275 mm	195 mm	145 mm	50 mm	35 mm

Model outfit	Model KERN		Order number	
	OZP 551	OZP 552		
Eyepieces (30,0 mm)	HSWF 10x/∅ 23 mm	✓✓	✓✓	OZB-A5503
	SWF 15x/∅ 17 mm	○○	○○	OZB-A5504
	SWF 20x/∅ 14 mm	○○	○○	OZB-A5505
	SWF 30x/∅ 9 mm	○○	○○	OZB-A5506
	HSWF 10x/∅ 23 mm (reticule 0,1 mm)	○	○	OZB-A5512
	SWF 15x/∅ 17 mm (reticule 0,05 mm)	○	○	OZB-A5513
	SWF 20x/∅ 14 mm (reticule 0,05 mm)	○	○	OZB-A5514
Achromatic auxiliary objectives	0,37x only in combination with a universal stand	○	○	OZB-A5611
	0,5x	○	○	OZB-A5612
	0,7x	○	○	OZB-A5613
	1,5x	○	○	OZB-A5615
	2,0x	○	○	OZB-A5616
	Soldering protection lens	○	○	OZB-A5614
C-Mount	0,3x (focus adjustable)		○	OZB-A5701
	0,5x (focus adjustable)		○	OZB-A5702
	1,0x (focus adjustable)		○	OZB-A5703
	1,0x (with micrometer) only in combination with OZB-A5703		○	OZB-A5704

✓ = Included with delivery

○ = Option

8

Fittings and accessories for the heads for the OZO-5 microscope range (OZO 556)

Eyepiece	Specifications - Objectives						
	Magnification	Standard 1,0x	Auxiliary objectives				
			0,37x	0,5x	0,7x	1,5x	2x
HSWF 10x	Total magnification	8x - 70x	2,96x - 25,9x	4x - 35x	5,6x - 49x	12x - 105x	16x - 140x
	Field of view mm	∅ 28,75 - 3,3	∅ 74,3 - 8,5	∅ 57,5 - 6,6	∅ 41,1 - 4,7	∅ 19,2 - 2,2	∅ 14,4 - 1,6
SWF 15x	Total magnification	12x - 105x	4,44x - 38,9x	6x - 52,5x	8,4x - 73,5x	18x - 157,5x	24x - 210x
	Field of view mm	∅ 21,25 - 2,4	∅ 57,4 - 6,6	∅ 42,5 - 4,9	∅ 30,4 - 3,5	∅ 14,2 - 1,6	∅ 10,6 - 1,2
SWF 20x	Total magnification	16x - 140x	5,92x - 51,8x	8x - 70x	11,2x - 98x	24x - 210x	32x - 280x
	Field of view mm	∅ 17,5 - 2	∅ 47,3 - 5,4	∅ 35 - 4	∅ 25 - 2,9	∅ 11,7 - 1,3	∅ 8,75 - 1
SWF 30x	Total magnification	24x - 210x	8,88x - 77,7x	12x - 105x	16,8x - 147x	36x - 315x	48x - 420x
	Field of view mm	∅ 11,25 - 1,3	∅ 30,4 - 3,5	∅ 22,5 - 2,6	∅ 16,1 - 1,8	∅ 7,5 - 0,9	∅ 5,625 - 0,6
Working distance		108 mm	275 mm	195 mm	145 mm	50 mm	35 mm

Model outfit	Model KERN		Order number
	OZO 556		
Eyepieces (30,0 mm)	HSWF 10x/∅ 23 mm	✓✓	OZB-A5503
	SWF 15x/∅ 17 mm	○○	OZB-A5504
	SWF 20x/∅ 14 mm	○○	OZB-A5505
	SWF 30x/∅ 9 mm	○○	OZB-A5506
	HSWF 10x/∅ 23 mm (reticule 0,1 mm)	○	OZB-A5512
	SWF 15x/∅ 17 mm (reticule 0,05 mm)	○	OZB-A5513
	SWF 20x/∅ 14 mm (reticule 0,05 mm)	○	OZB-A5514
Achromatic auxiliary objectives	0,37x only in combination with a universal stand	○	OZB-A5611
	0,5x	○	OZB-A5612
	0,7x	○	OZB-A5613
	1,5x	○	OZB-A5615
	2,0x	○	OZB-A5616
	Soldering protection lens	○	OZB-A5614
C-Mount	0,3x (focus adjustable)		OZB-A5701
	0,5x (focus adjustable)		OZB-A5702
	1,0x (focus adjustable)		OZB-A5703
	1,0x (with micrometer) only in combination with OZB-A5703		OZB-A5704

✓ = Included with delivery

○ = Option



OZB-A5201



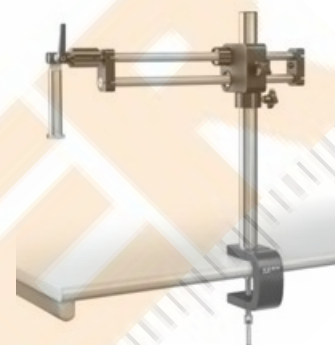
OZB-A5203



OZB-A5211



OZB-A5212



OZB-A5213



OZB-A5221



OZB-A5222



OZB-A5223

PREMIUM universal stands

Features

- With our universal stands and basic stands, as well as microscope heads and external illumination units, you can configure your microscope to your own specifications and adapt it to your application
- Thanks to the versatile, adjustable universal stands it is possible to work in the very best way in all areas with the most varied of samples

- Large universal stands are available as stand base variants as well as with the option of a clamp for the edge or the centre of a bench. Depending on the model, you have the choice of a telescopic arm stand, a jointed arm stand or a telescopic double arm universal stand with ball bearings

Technical data

- Column height: 470 mm

OZB-A5201/OZB-A5211/OZB-A5221

- Length telescopic arm: 614 mm

OZB-A5212/OZB-A5222

- Length jointed arm: 755 mm

OZB-A5203/OZB-A5213/OZB-A5223

- Length double arm: 545 mm

Model Description

KERN

OZB-A5201	Telescopic arm – Plate – excl. holder
OZB-A5211	Telescopic arm – Clamp Edge of bench (Range: max. 62 mm) – excl. holder
OZB-A5221	Telescopic arm – Clamp Centre of bench (hole required) – excl. holder
OZB-A5212	Jointed arm – Clamp Edge of bench (Range: max. 62 mm) – excl. holder
OZB-A5222	Jointed arm – Clamp Centre of bench (hole required) – excl. holder
OZB-A5203	Telescopic double arm with ball bearings – Plate – excl. holder
OZB-A5213	Telescopic double arm with ball bearings – Clamp Edge of bench (Range: max. 62 mm) – excl. holder
OZB-A5223	Telescopic double arm with ball bearings – Clamp Centre of bench (hole required) – excl. holder



OZB-A1201



OZB-A1203



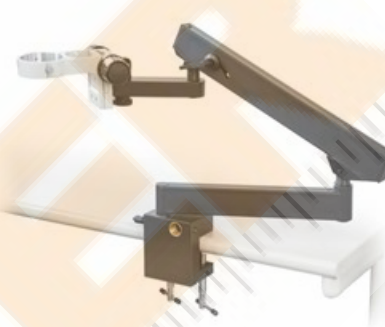
OZB-A6302



OZB-A1211



OZB-A1213



OZB-A6303



OZB-A6301

ECO universal stands

Features

- With our universal stands and basic stands, as well as microscope heads and external illumination units, you can configure your microscope to your own specifications and adapt it to your application
- Thanks to the versatile, adjustable universal stands it is possible to work in the very best way in all areas with the most varied of samples

- Small universal stands are available as stand base variants as well as with the option of a clamp for the edge of a bench. Depending on the model, you have the choice of a telescopic arm stand or a telescopic double arm universal stand with ball bearings
- The spring loaded universal stands including bench clamp will make your daily work with your stereo microscope easier. Now including coarse adjustment knob for easy, flexible focussing

Technical data

OZB-A1201/OZB-A1211

- Column height: 430 mm
- Length telescopic arm: 385 mm

OZB-A1203/OZB-A1213

- Column height: 430 mm
- Length telescopic arm: 480 mm

OZB-A6302

- Height spring loaded arm: 525 mm
- Length spring loaded arm: 620 mm

OZB-A6301

- Column height: 300 mm

OZB-A6303

- Height spring loaded arm: 400 mm
- Length spring loaded arm: 850 mm

Model Description

KERN	
OZB-A1201	Telescopic arm – Plate – excl. holder
OZB-A1211	Telescopic arm – Clamp Edge of bench (Range: max. 40 mm) – excl. holder
OZB-A1203	Jointed arm – Plate – excl. holder
OZB-A1213	Jointed arm – Clamp Edge of bench (Range: max. 40 mm) – excl. holder
OZB-A6302	Spring loaded arm (Pneumatic spring) – Clamp (Range: max. 50 mm) – with holder (Coarse focusing knob)
OZB-A6303	Spring loaded arm (Compression spring) – Clamp (Range: max. 50 mm) – with holder (Coarse focusing knob)
OZB-A6301	Pillar style stand with “C”-shape base – excl. holder



OZB-A5301



OZB-A5306

Holders

Features

- There are two microscope head holders available for these flexible, modular systems. These brackets are suitable for all stereo microscope stands and universal stands (excluding spring loaded arm), to make focusing possible
- The first variant available is a holder with adjustable handwheel as well as adjustment of the torque for your configuration

- For professional applications you have the choice of a mount with coarse and fine focusing knob for the very best focusing operation
- Diameter of the connector for the microscope head: 76 mm
- Diameter of the connector for the stand: 25 mm

8

Model	Description
KERN	
OZB-A5301	Holder with adjustable torque of the hand wheel. Suitable for all universal stands (except of spring loaded arm) and for all basic stands as possible accessories.
OZB-A5306	Holder with coaxial coarse and fine focusing knob and adjustable torque of the hand wheel. Suitable for all universal stands (except of spring loaded arm) and for all basic stands as possible accessories.

Stereo Microscope Modular System – Dust Covers KERN OBB-C



Dust covers

Features

- When working with microscopes, we offer dust covers to give greater ease of use. By using these, you can easily avoid the time-consuming cleaning work which is necessary with routine use of your microscope

- Depending on the size of your microscope set or your microscope configuration you can select between three different models
- Please find detailed information in the following model outfit list

Model	Description	Suitable for
KERN		
OBB-A1387	Size 1: 485×450 mm	Stereo microscope heads
OBB-A1388	Size 2: 600×650 mm	Stereo microscope heads in combination with basic stands
OBB-A1389	Size 3: 700×900 mm	Stereo microscope sets, stereo microscope heads in combination with universal stands